



TAI-SAW TECHNOLOGY CO., LTD.

No. 3, Industrial 2nd Rd., Ping-Chen Industrial District,
Taoyuan, 324, Taiwan, R.O.C.

TEL: 886-3-4690038 FAX: 886-3-4697532

E-mail: tstsales@mail.taisaw.com Web: www.taisaw.com

Product Specifications Approval Sheet

Product Description: SAW Resonator 433.92 MHz SMD 5.0X3.5 mm

TST Part No.: TC0269B

Customer Part No.: _____

| |
|-----------------------------|
| Customer signature required |
| Company: _____ |
| Division: _____ |
| Approved by : _____ |
| Date: _____ |

Checked by: Paul Ni *Paul*

Approved by: Francis Chen *(Signature)*

Date: 2009/12/29

1. Customer signed back is required before TST can proceed with sample build and receive orders.
2. Orders received without customer signed back will be regarded as agreement on the specifications.
3. Any specifications changes must be approved upon by both parties and a new revision of specifications shall be released to reflect the changes.



TAI-SAW TECHNOLOGY CO., LTD.

No. 3, Industrial 2nd Rd., Ping-Chen Industrial District,
Taoyuan, 324, Taiwan, R.O.C.

TEL: 886-3-4690038 FAX: 886-3-4697532

E-mail: tstsales@mail.taisaw.com Web: www.taisaw.com

SAW Resonator 433.92 MHz

MODEL NO.: TC0269B

REV. NO.:2

A. FEATURES:

1. 1-Port Resonator.

B. MAXIMUM RATING:

1. Input Power Level: 0 dBm
2. DC voltage: 12 V
3. Operating Temperature: -40°C to +85°C
4. Storage Temperature: -40°C to +85°C

C. ELECTRICAL CHARACTERISTICS:

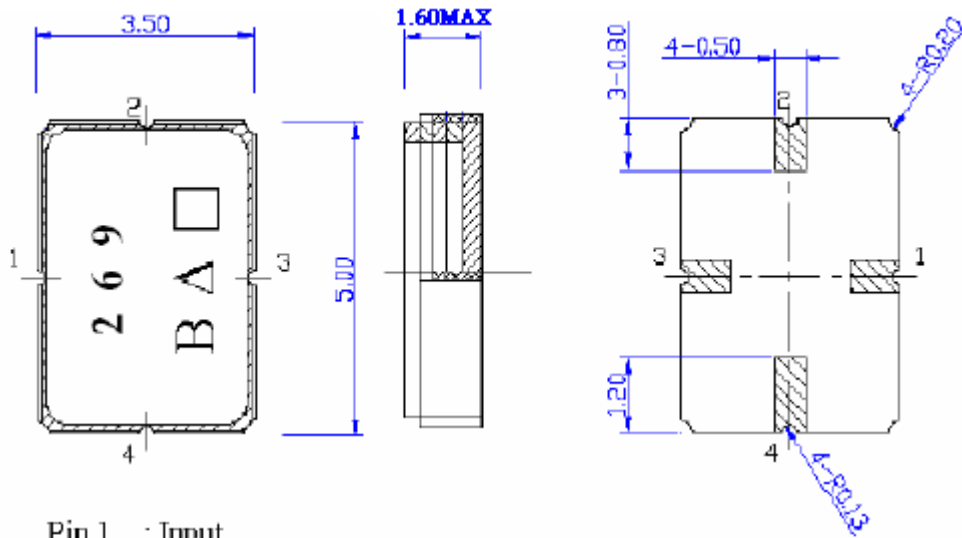
Reference Temperature $T_A=25^\circ\text{C}$

| Characteristic | Units | Minimum | Typical | Maximum |
|--|----------------|---------|---------|---------|
| Center frequency Fc | MHz | 433.870 | 433.920 | 433.970 |
| Insertion Loss IL | dB | - | 1.2 | 1.7 |
| Ageing of fc | ppm/yr | - | - | ±10 |
| Equivalent Circuit Model | | | | |
| Motional capacitance C1 | fF | - | 1.79 | - |
| Motional inductance L1 | μH | - | 75.72 | - |
| Motional resistance R1 | Ohm | - | 14.3 | 23 |
| Parallel capacitance Co | pF | - | 3.2 | - |
| Frequency Temperature coefficient (TC_f) | ppm/c*2 | - | 0.032 | - |
| Turnover T_o | deg.C | 5 | 15 | 25 |

Temperature dependence of fc: $fc(T_A)=fc(T_O)(1+TC_f(T_A-T_O)^2)$

RoHS Compliant
Lead free
Lead-free soldering

D. OUTLINE DRAWING:



Pin 1 : Input
 Pin 3 : Output
 Pin 2,4 : Ground

| | | |
|-----------|--------------|--------------|
| Year | 2007 2009 | 2008 2010 |
| Year Code | C | c |

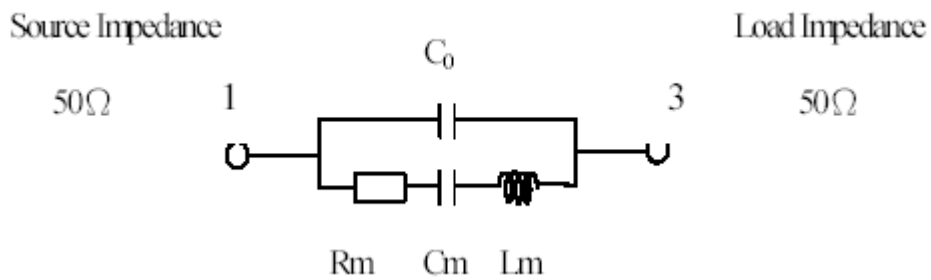
△ : Year Code

□ : Data Code(Follow Provided by planer each year)the table

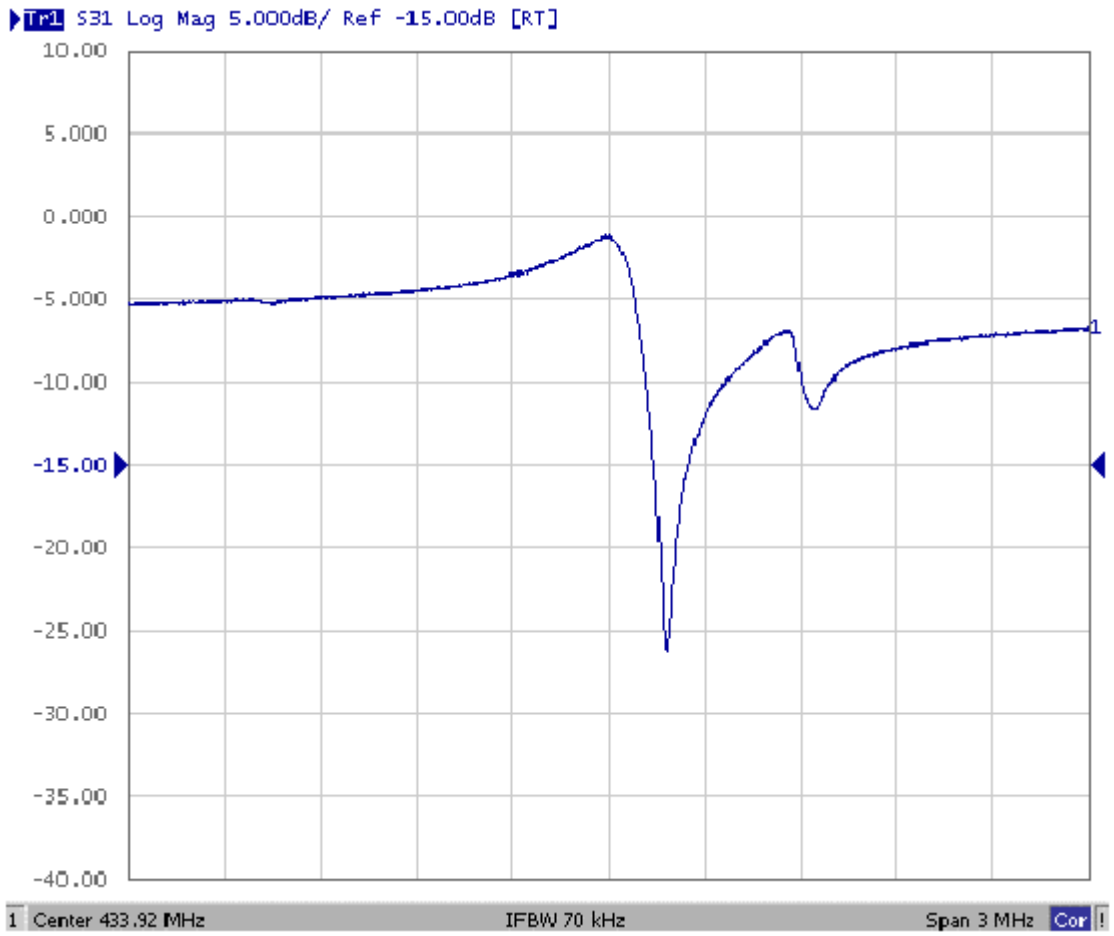
| | | | | | | | | |
|-------------|----|----|-----|----|----|----|-----|----|
| WK | 01 | 02 | ... | 26 | 27 | 28 | ... | 52 |
| Code | A | B | ... | Z | a | b | ... | z |

E. EQUIVRENT CIRCUIT:

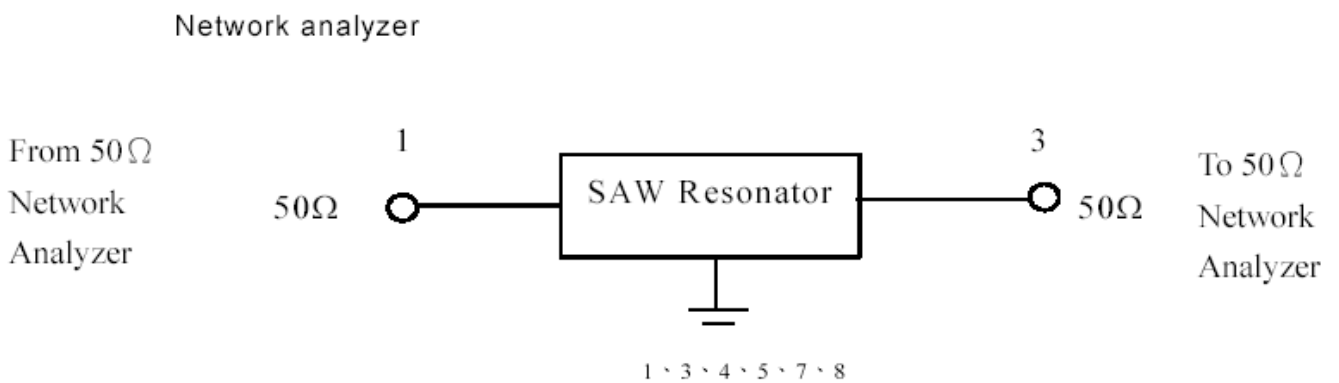
One-Port Resonator:



F.FREQUENCY CHARACTERISTICS:

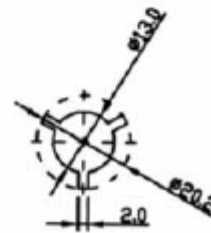
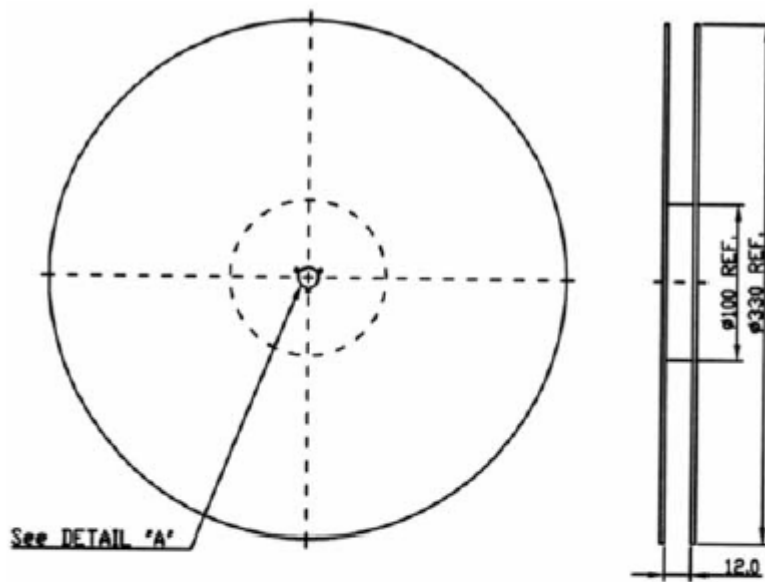


G. TEST CIRCUIT:



H. PACKING:

1. REEL DIMENSION



2. TAPE DIMENSION

